

# Remember the Old Days

Good in it's Day

Better for Today



Old Design

New Design



## Still Using Old Designs?

Phone 0845 2658336

Fax 0845 2658337

Email: [sales@avanceruk.com](mailto:sales@avanceruk.com)

Website: [www.avanceruk.com](http://www.avanceruk.com)



[www.avanceruk.com](http://www.avanceruk.com)

## Classique Professional-RCP

### Features:

Pistol Grip Zero Reset
Trigger Brake
Folds in Half
Push Button Release Clip Push
Button Zero Reset
Kick Down Side Stand Convenient
Carry Handle Wrist Strap
Debris Removing Scraper
Runs in Straight Line Balanced In
Line Movement Better Traction
Wheel Runs on Sealed Roller Bearings Zero
Point Indicator
Heavy Duty

### Surfaces:

—	Hard Smooth	★★★★★
— — —	Paving	★★★★★
~	Uneven	★★★★
	Grass and Carpet	★★★
	Soft Sand	★★



### Specifications:

	Metric	Imperial
Measuring Distance	10 000m	10000 ft
Increments	0.1 m	0.1 ft
Wheel Circumference	1 m	3.2 ft
Wheel Diameter	0.32m	1 ft
Weight	2.36 kg	5.2 lb

### Uses:

Road Marking, Construction, Paving, Fencing, Pool Construction, Garden Layouts, Field Layouts, Factory Layouts, Property Assessments, etc. Can be used on most surfaces smooth and uneven over long or short distances.

## 1000 Deluxe-RD1000

### Features:

Trigger Brake
Folds in Half
Push Button Release Clip Push
Button Zero Reset
Kick Down Side Stand
Convenient Carry Handle Wrist Strap
Debris Removing Scraper
Follows Fine Edges
Runs in Straight Line Balanced In
Line Movement Better Traction
Wheel Runs on Sealed Roller Bearings
Heavy Duty



### Surfaces:

—	Hard Smooth	★★★★★
— — —	Paving	★★★★★
~	Uneven	★★★★
	Grass and Carpet	★★★
	Soft Sand	★★

### Specifications:

	Metric	Imperial
Measuring Distance	10 000 m	10 000 ft
Increments	0.1 m	0.1 ft
Wheel Circumference	1 m 0.32	3.2 ft
Wheel Diameter	m 2.1 kg	1 ft
Weight		4.6 lb



### Uses:

Road Marking, Construction, Paving, Fencing, Pool Construction, Garden Layouts, Field Layouts, Factory Layout Property Assessments, etc. Can be used on most surfaces smooth and uneven over long or short distances.

## 1000 Econo-RES1000






### Features:

Trigger Brake
Folds in Half
Push Button Release Clip Push
Button Zero Reset
Kick Down Side Stand Debris
Removing Scrapper
Follows Fine Edges
Runs in Straight Line Balanced In
Line Movement Better Traction
Wheel Runs on Sealed Roller Bearings

### Specifications:

	Metric	Imperial
Measuring Distance		
Increments	10 000 m	10 00 ft
Wheel Circumference	0.1 m	0.1 ft
Wheel Diameter	1 m 0.32	3.2 ft
Weight	m 1.8 kg	1 ft
		3.9 lb

### Surfaces:

	Hard Smooth	★ ★ ★ ★ ★
	Paving	★ ★ ★ ★ ★
	Uneven	★ ★ ★ ★ ★
	Grass and Carpet	★ ★ ★
	Soft Sand	★ ★

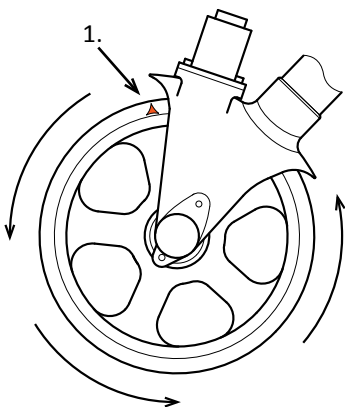


### Uses:

Road Marking, Construction, Paving, Fencing, Pool Construction, Garden Layouts, Property Assessments, etc. Can be used on most surfaces smooth and uneven over

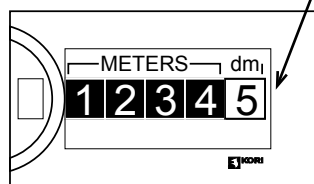
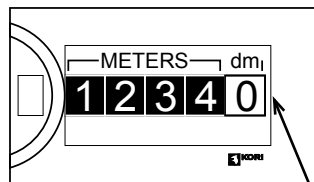
## Self Calibration

1. Align the arrow on the tire with a point on the fork, so that the arrow can return to the same point.
2. Zero the counter.

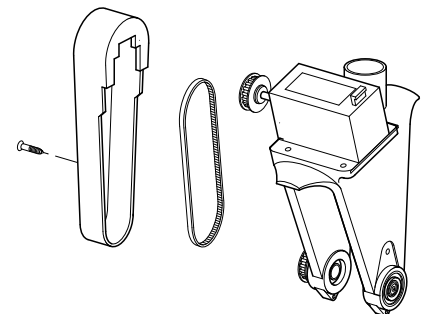


3. Spin the wheel as many times as you like, in the same direction.
4. Stop the wheel and return the arrow to the original point on the fork, that was previously used to line up with.

5. The counter will read any whole number but the white display with the black number on the right hand side of the counter must read zero for measuring wheels with a circumference of 1 meter, and 0 or 5 for measuring wheels with a wheel circumference of 0.5 meters



6. In the event that the counter does not read as indicated, there could be dirt or debris stuck in the timing belt. In order to correct this, please remove the timing belt cover and clean out any dirt or debris lodged between the teeth of the timing belt as well as the pulley.



6. If there is no dirt or debris, and the measuring wheel does not follow as indicated in .5, please contact your local dealer.

\*Please Note that self calibration can only be performed on 500 and 1000 Metric Models

## Avancer 4 X 4 Land Measuring Wheel

## HGV Tyre Bead Breaker



- Heavy Duty Wheel
- Stainless Steel
- Measures 9999.9m
- Telescopic Handle
- Built in Stand
- Built in Mud Scraper



- Heavy Duty
- Made in UK
- Quality Construction
- Carry Handle
- Bag available



## Avancer Rail Track Measuring Wheel

## Avancer Paint Applicator



- Heavy Duty Wheel
- Stainless Steel
- Measures 9999.9 m
- Measures 9999.9 Yds
- Telescopic Handle
- Metric or Imperial
- Dual Reading Available
- De Clutch Available



- 750 mm can
- Made in UK
- Quality Construction
- Soft grip handle
- Bag available



Tel : +44 (0)845 2658336

Fax : +44 (0)845 2658337

Email: [sales@avanceruk.com](mailto:sales@avanceruk.com)

