



SLN-94

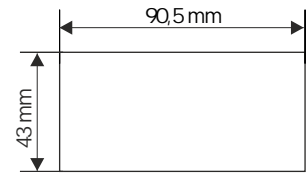
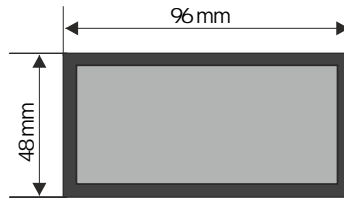
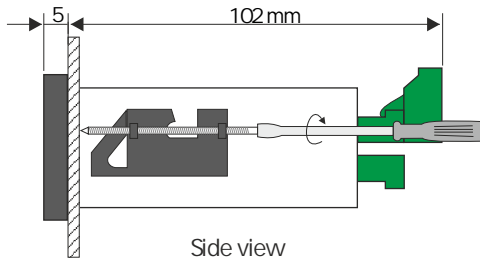
- ❑ up-down and down-up pulse counter with batching function
- ❑ settable activation threshold
- ❑ 1 pulse counting input / 3 control inputs
- ❑ 4 counter reset sources
- ❑ 2 REL / OC outputs
- ❑ double LED display
- ❑ RS-485 / Modbus RTU

The SLN-94 counter is equipped with single counting, hold, stop, clear/start inputs. Is designed for up-down counting of pulses in 3 decades and has single program register using for programming the batcher function. SLN-94 has two build-in relay outputs (N.O.) with selectable thresholds and modes of operation. It can be used for controlling of external devices. The counter is prepared for cooperation with NPN as well as PNP type sensors. Due to internal digital denouncing filter simple contactors can be used as sensors. Additionally build-in sensor supply output (24V DC) can be used to supply contactors and some types of electronic sensors.

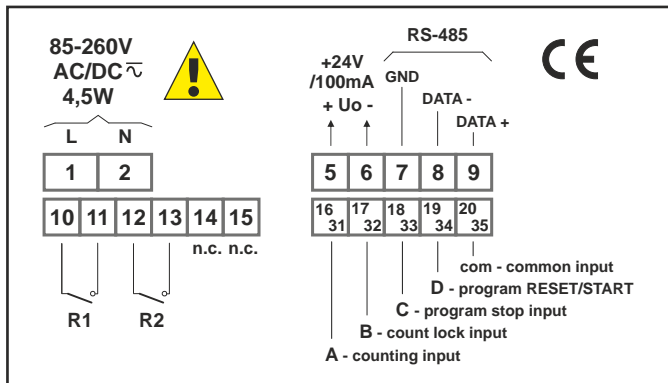
TECHNICAL DATA

Power supply	19V ÷ 50V DC; 16V ÷ 35V AC or 85 ÷ 260V AC/DC or 12V AC/DC, all separated
Power consumption	for 12V AC/DC, 85 ÷ 260V AC/DC and 16V ÷ 35V AC power supply: max. 4.5 VA; for 19V ÷ 50V DC power supply: max. 4.5 W
Display	result (PV): LED, red, 3 digits, 13mm high settings (SV): LED, green, 3 digits, 13mm high
Displayed values range	from 000 to 999 (result and settings)
Inputs	pulse, galvanically isolated: - counting: down-up and up-down - count lock - program stop - program RESET/START - common
Input levels	low level: 0V ÷ 1 V; high level: 10V ÷ 30V (12 mA @ 24V)
Input frequency	electronic sensor: 10 kHz contact sensor: max. 90 Hz (adjustable filter)
Binary outputs	2 x REL $I_{max}=1A$, $U_{max}=30VDC/250VAC$ ($\cos\phi=1$) or OC $I_{max}=30mA$, $U_{max}=30VDC$, $P_{max}=100mW$
Power supply output	24V DC +5%, -10% / max. 100 mA, stabilized
Communication interface	RS-485, 8N1 and 8N2, 1200 bit/s ÷ 115200 bit/s, Modbus RTU (not galvanically isolated)
Data memory	non-volatile memory, EEPROM type
Operating temperature	0°C ÷ +50°C (standard), -20°C ÷ +50°C (option)
Storage temperature	-10°C ÷ +70°C (standard), -20°C ÷ +70°C (depending on option)
Protection class	IP 65 (front), optional integrated frame for panel cut-out sealing; IP 20 (case and connection clips)
Case	panel mounting; material: NORYL - GFN2SE1
Dimensions	case (WxHxD): 96 x 48 x 100 mm panel cut-out dimensions: 90.5 x 43 mm installation depth: min. 102 mm board thickness: standard 7 mm or other depending on used board thickness brackets (see Accessories)
Weight	220 g max.

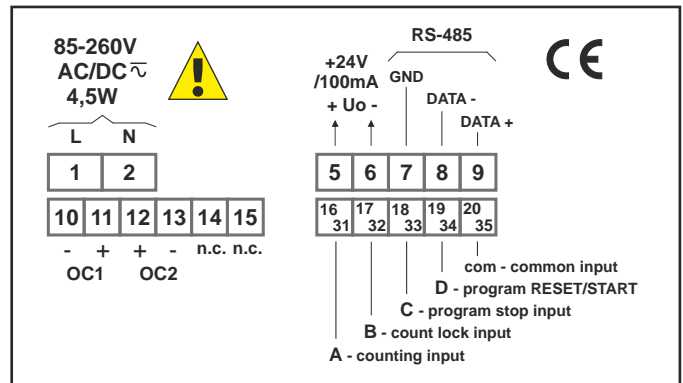
DIMENSIONS



EXAMPLARY PIN ASSIGNMENT



version with 2 x REL



version with 2 x OC

ORDERING

SLN-94-142X-1-X-XX1

options

- 00: no options
- 01: integrated frame for panel cut-out sealing
- 08: operating temp. $-20^{\circ}\text{C} \div +50^{\circ}\text{C}$
- 0P: integrated frame for panel cut-out sealing + operating temp. $-20^{\circ}\text{C} \div +50^{\circ}\text{C}$

power supply:

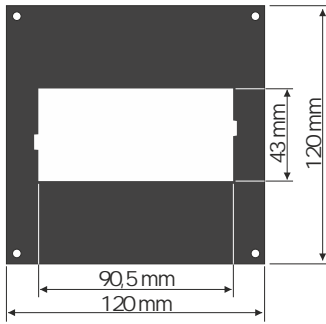
- 3: 24V AC/DC
- 4: 85V \div 260V AC/DC
- 5: 12V AC/DC

type of outputs:

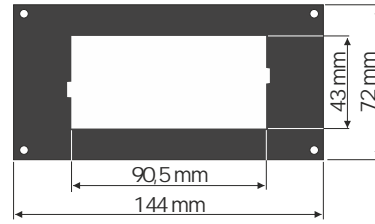
- 1: REL
- 2: OC



MOUNTING PLATES



SMP-99/94
to mount 96 x 48 mm
size unit in place
of 96 x 96 mm cut-out



SMP-147/94
to mount 96 x 48 mm
size unit in place
of 144 x 72 mm cut-out

BOARD THICKNESS BRACKETS / ADAPTORS



SPH-07
1 ÷ 7 mm board thickness
brackets (2 pcs)
standard included with device



SPH-45
1 ÷ 45 mm board thickness
brackets (2 pcs)

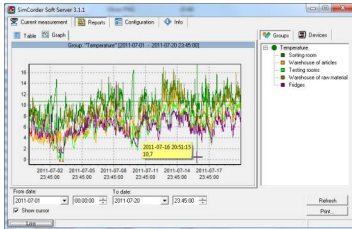


SPH-05
1 ÷ 5 mm board thickness
brackets (2 pcs)



SRH-94
brackets for mounting devices
on DIN 35/7.5 or 15 rail (2 pcs)

SOFTWARE



SimCorder Soft is a visualisation application created to facilitate work with advanced networks of the SIMEX devices, for acquisition, visualisation, reporting, archiving, exporting and printing of measurement data from all network devices. You can download measurements from the devices automatically or on demand. There is a possibility of immediate notification about emergency states via SMS or e-mail, which will often allow to quickly resolve an arising problem while avoiding long and expensive stoppages. You can view the measurement data, emergency states and configuration via the internet at every time.

CONVERTERS



The SRS-U4 converter is designed to connect a USB host to slave devices equipped with RS-485 interface. The PC with special software can be used as a host. The SRS-U4 unit guarantees full galvanic isolation between USB and RS-485 circuits. The converter can work with any devices equipped with RS-485 interface and contains integrated circuit which supports USB 1.1 and USB 2.0 standards. The main purpose is connection of PC host computer with industrial data acquisition and visualisation systems based on RS-485 interface.

The SRS-U4 can be also manufactured with DIN mounting adaptor.

