



IR remote controller  
SIR-25

## SLIK-N118

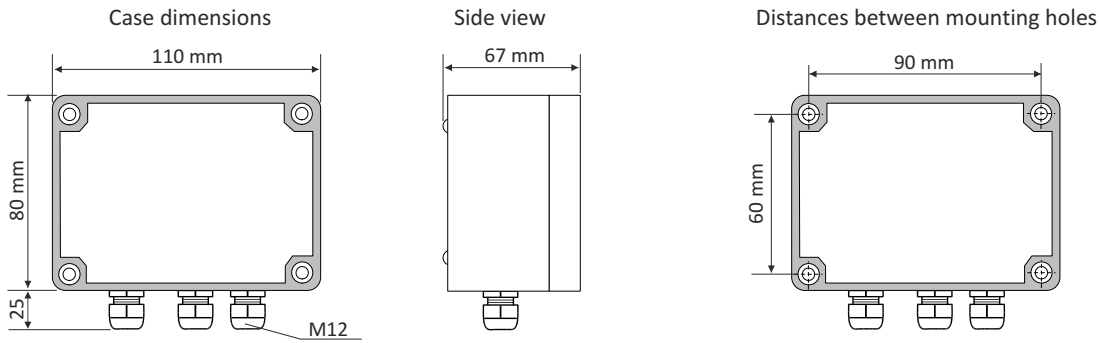
- ❑ multi-purpose counter in wall mounted IP 67 case
- ❑ batching function
- ❑ 2 pulse counting inputs + 1 programmable function input
- ❑ 1 counter reset input
- ❑ 0 or 2 REL / OC outputs
- ❑ digital debouncing filter
- ❑ 4 counter reset sources (manual, ext, auto, modbus)
- ❑ free configuration software S-Config

The **SLIK-N118** universal, programmable counters are encased in a tight, wall-mounted housing (IP 67) and equipped with two independent counting inputs that can operate in various configurations (pulse or quadrature). Additional programmable input can change basic function of counting inputs (addition or subtraction of pulses from inputs, change the direction of counting) or hold counting without clearing. The **SLIK-N118** counter features an independent reset input. The REL / OC outputs with programmable thresholds can be used to control external equipment. The counter may be configured with no need to open the case, by using the remote controller or with free S-Config software via the RS-485 communication port.

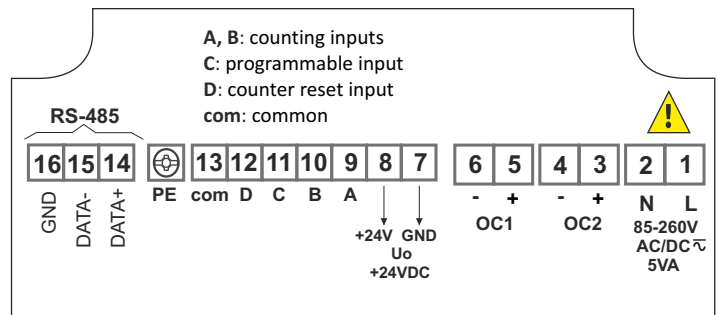
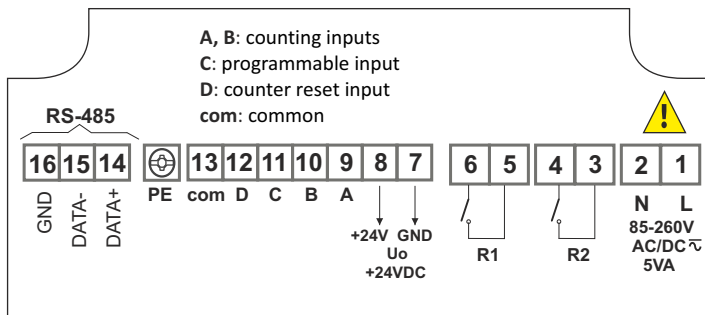
### TECHNICAL DATA

Power supply	19V ÷ 50V DC; 16V ÷ 35V AC or 85 ÷ 260V AC/DC or 12V AC/DC, all separated
Power consumption	for 12V AC/DC, 85 ÷ 260V AC/DC and 16V ÷ 35V AC power supply: max. 5 VA; for 19V ÷ 50V DC power supply: max. 5 W
Display	LED, 6 x 13 mm high, red, brightness adjustable in 8 steps
Displayed values range	-99999 ÷ 999999 + decimal point
Inputs	pulse, fully isolated: - counting (down-up and up-down or quadrature) - programmable function - counter reset - common (COM)
Input levels	<u>low level</u> : 0 V ÷ 1 V; <u>high level</u> : 10 V ÷ 30 V
Input frequency	<u>electronic sensor</u> : 10 kHz (standard), 5 kHz (quadrature); <u>contact sensor</u> : max. 90 Hz (adjustable filter)
Outputs (option)	0 or 2 x REL $I_{max}=5A$ , $U_{max}=30VDC/250VAC$ ( $\cos\phi=1$ ) or 2 x OC $I_{max}=30mA$ , $U_{max}=30VDC$ , $P_{max}=100mW$
Power supply output	24V DC +5%, -10% / max. 100 mA, stabilized
Communication interface	RS-485, 8N1 and 8N2, 1200 bit/s ÷ 115200 bit/s, Modbus RTU (not galvanically isolated)
Data memory	non-volatile memory, EEPROM type
Operating temperature	0°C ÷ +50°C (standard), -20°C ÷ +50°C (option)
Storage temperature	-10°C ÷ +70°C (standard), -20°C ÷ +70°C (depending on option)
Protection class	IP 67
Case	wall mounting; material: ABS + polycarbonate (standard); 100% polycarbonate (on request)
Glands	M12, cable diameter 3 ÷ 6,5 mm
Dimensions (WxHxD)	without glands: 110 x 80 x 67 mm; with glands: 110 x 105 x 67 mm
Weight	max. 350 g

**DIMENSIONS**



**EXAMPLARY PIN ASSIGNMENTS**



**ORDERING**

SLIK-N118-15XX-1-X-XX1

**number of outputs:**

- 0
- 2

**type of outputs:**

- 0 : no output
- 1 : REL
- 2 : OC

**options:**

- 00 : no options
- 08 : operating temp. -20°C ÷ +50°C

**power supply:**

- 3 : 24V AC/DC
- 4 : 85V ÷ 260V AC/DC
- 5 : 12V AC/DC



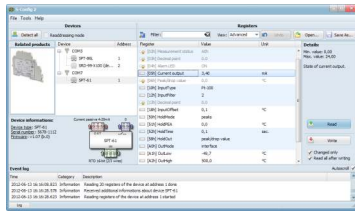
## REMOTE CONTROLLER



The **SIR-25** infraRed remote control may be used as external programming keyboard for all SIMEX devices equipped with IR receivers and remote programming functions. Pressing of any local IR controller key, causes transmission of it's code to the device. The remote control features a five-button keyboard, including the **F/Σ/RESET** function button dedicated to the operation of the devices in the following group: counters, flow meters, and tachometers. Functions of particular keys depend on devices features.

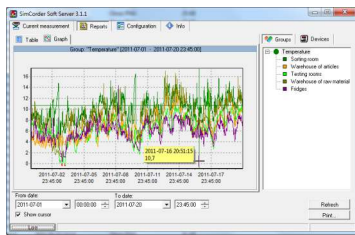
Power supply voltage: 3V DC - 1 lithium battery CR2032 type  
 Operation range: from 0,5 to 5 m (depend on programmed device features)

## SOFTWARE



**S-Config 2** is used for the simultaneous detection of devices in multiple Modbus RTU networks and allows user to change the configuration of most of them. For each detected device a list of its registers, which the user can modify, is displayed and also additional informations about device parameters (type, address in the network, etc.).

**S-Config** software can be downloaded from SIMEX website at [www.simex.pl](http://www.simex.pl)



**SimCorder Soft** is a visualisation application created to facilitate work with advanced networks of the SIMEX devices, for acquisition, visualisation, reporting, archiving, exporting and printing of measurement data from all network devices. You can download measurements from the devices automatically or on demand. There is a possibility of immediate notification about emergency states via SMS or e-mail, which will often allow to quickly resolve an arising problem while avoiding long and expensive stoppages. You can view the measurement data, emergency states and configuration via the internet at every time.

## CONVERTERS



The **SRS-U4** converter is designed to connect a USB host to slave devices equipped with RS-485 interface. The PC with special software can be used as a host. The **SRS-U4** unit guarantees full galvanic isolation between USB and RS-485 circuits. The converter can work with any devices equipped with RS-485 interface and contains integrated circuit which supports USB 1.1 and USB 2.0 standards. The main purpose is connection of PC host computer with industrial data acquisition and visualisation systems based on RS-485 interface.

The **SRS-U4** can be also manufactured with DIN mounting adaptor.